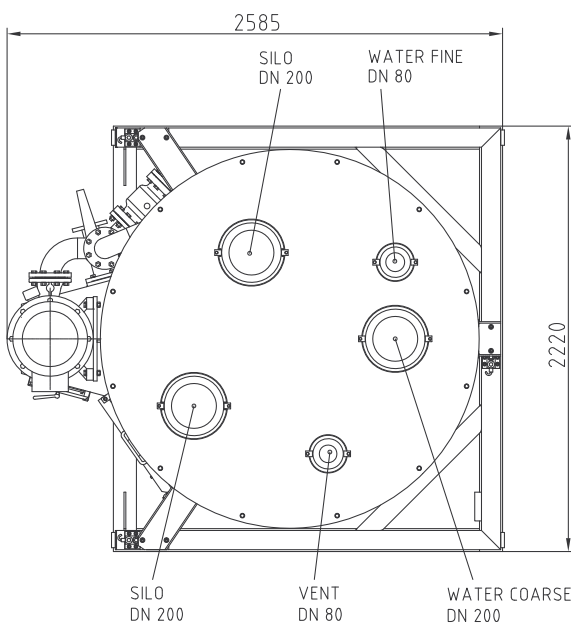
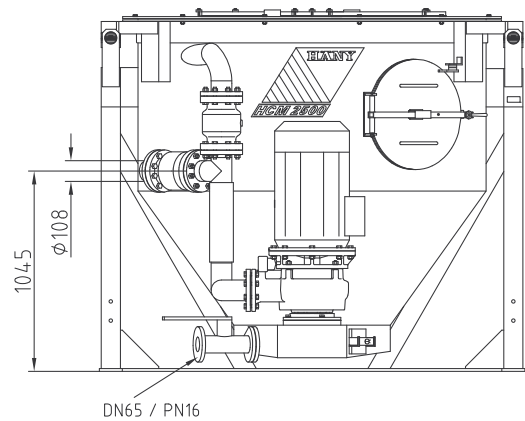
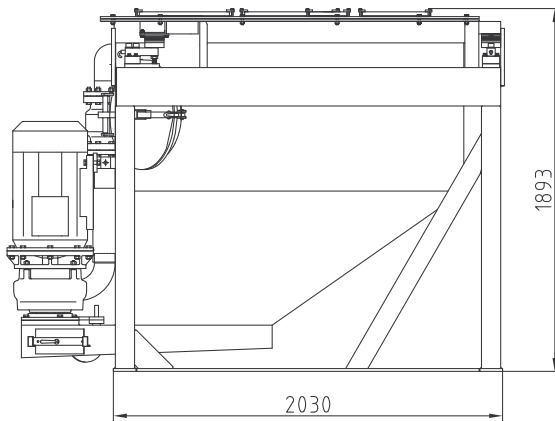


# Data sheet



## HCM 2500

Mixing Pump	TMP	60
Production approx (w/c = 1)	m <sup>3</sup> /h	40
Circulation capacity	l/min	4800
Usable content	l	2500
Max. particle size	mm	-
Electric motor	50 Hz kW	45
	60 Hz kW	53
Water connection		-
Weight	kg	2500



Hány AG reserves the right to make improvements and modifications to their equipment without notice.

**GROUTING SYSTEMS**



**GROUTING SYSTEMS**

**HÄNY**

Häny AG • Buechstrasse 20 • CH-8645 Jona/Switzerland  
Tel. + 41 44 925 41 11 • Fax +41 44 923 62 45 • [www.haeny.com](http://www.haeny.com)

